

FLAT PACK GALVANIZED CORN BIN WITH PARTITIONS

PARTS LIST

Nuts & Bolts

1 Bottom Section (D)

2 Side Sections (A)

1 Back with Lid attached (B)

1 Front Section (C)

1 Inner Top Frame (E)

1 Centre Partition (F)

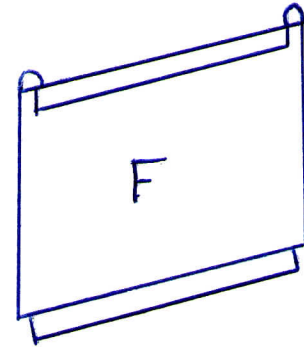
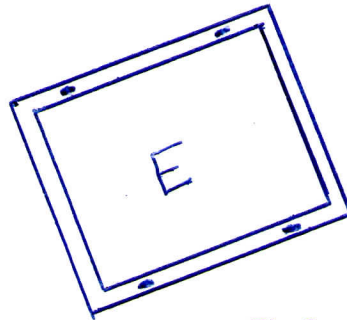


Fig 1

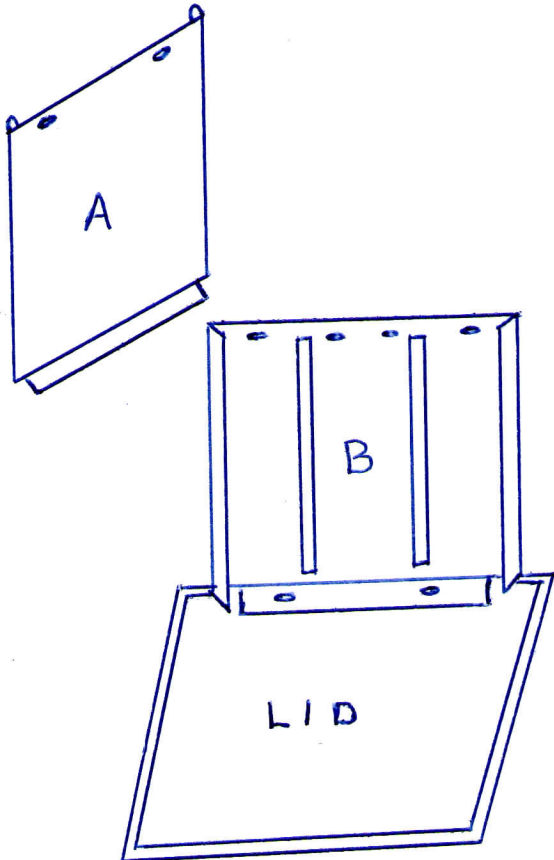
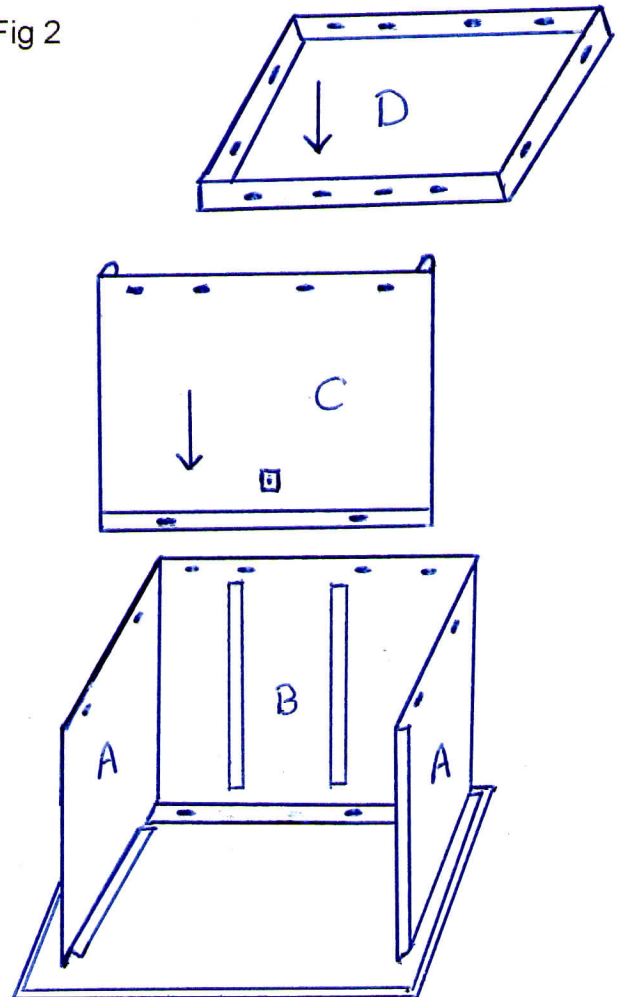


Fig 2



ASSEMBLY INSTRUCTIONS - please be careful of any sharp edges & corners. We recommend 2 people for safe assembly.

The corn bin will be assembled upside down.

Fig 1 - Using part B, place the lid flat on the floor with the back upright. Slide the sides (A) into the folds with lipped edge first.

Fig 2 - Slide in front section (C) with the staple facing outwards & centre runners on the inside. Drop in top frame (E). Slide partition(s) (F) into centre runners. Insert bottom section (D) so that the holes line up & the folds are over the edges. Bolt together. Turn corn bin over. Put bolts through top edge of bin frame and top frame (E). Tighten bolts with a screwdriver.